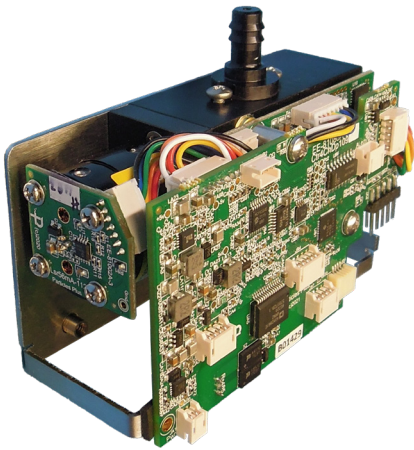


## 2301-OEM Particle Sensor

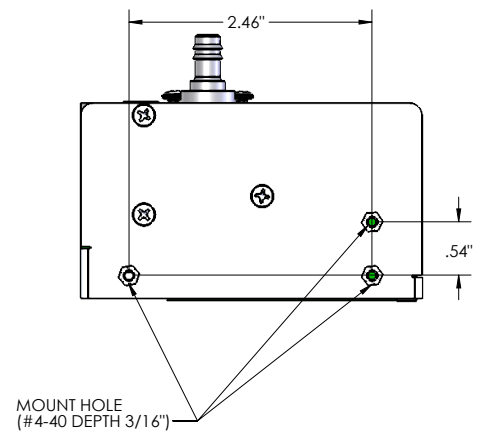
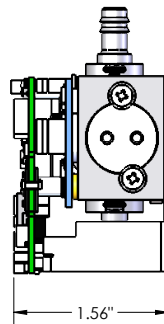
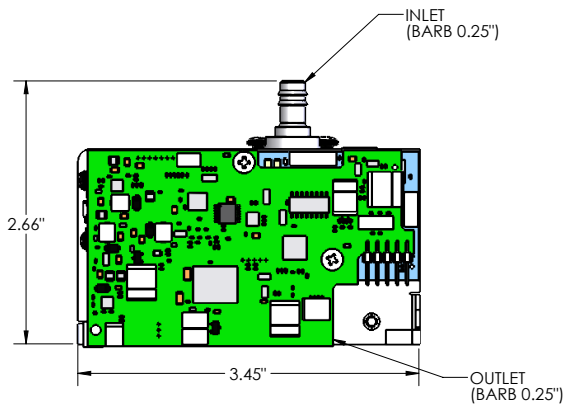


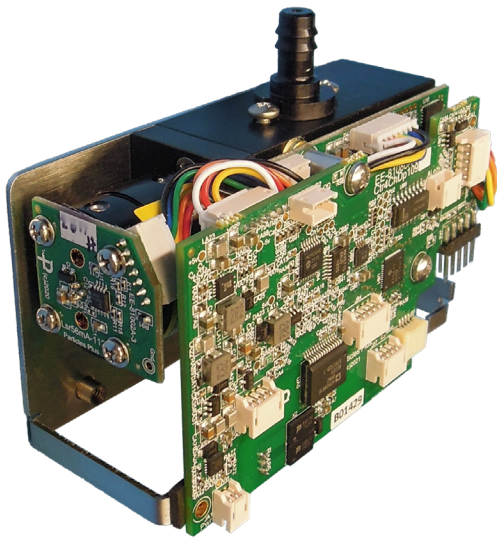
The 2301-OEM particle sensor provides a range of particle size measurement from 0.3 to 25.0  $\mu\text{m}$  at 0.1 CFM (2.83 LPM) flow. These sensors allow for efficient particle counting with high accuracy and resolution that meet or exceed ISO 21501-4 and JIS B9921 for the calibration of a particle counter.

These sensors have 4 fixed particle size channels. Integration into a building automation or facility monitoring system is easy via isolated RS-485 Modbus communication.

### 2301-OEM: Features and Benefits

- Measures 0.3  $\mu\text{m}$  to 25  $\mu\text{m}$
- Flow rate 2.83 LPM (0.1 CFM)
- Long life laser diode technology
- Measures up to 4 channels of simultaneous data
- Connect using Modbus RTU/ASCII over isolated RS-485
- 1 year limited warranty. Extended warranties available.





## Specifications

<b>Model</b>	<b>2301-OEM</b>
Size Range	Measures 0.3 $\mu\text{m}$ to 25 $\mu\text{m}$
Flow rates	2.83 LPM (0.1 CFM)
Number of Channels	4
Concentration Limits	10,000,000 particles/ft <sup>3</sup> @ 10% coincidence (per ISO 21501-4), 20,000,000 particles/ft <sup>3</sup> @ 10% coincidence (as tested and validated <sup>1</sup> )
Light Source	Long life laser diode
Communication Modes	MODBUS™ RTU or ASCII outputs (over isolated RS-485)
Standards	ISO 21501-4 & JIS B9921 capable
Dimensions (L x W x H)	2.66" x 3.45" x 1.56" (67.5 mm x 87.6 mm x - 39.6 mm)
Weight	7.5 oz (212 grams)
Power	9 - 24 VDC (< 1.5 watts)
Operating Conditions	41° to 104°F (5° to 40°C) / 20% to 95% non-condensing
Storage Conditions	32° to 122°F (0° to 50°C) / Up to 98% non-condensing
Warranty	1 year limited warranty. Extended warranties available

1- Validated by independent analysis see paper available at [www.particlesplus.com/aac2022\\_paper](http://www.particlesplus.com/aac2022_paper)