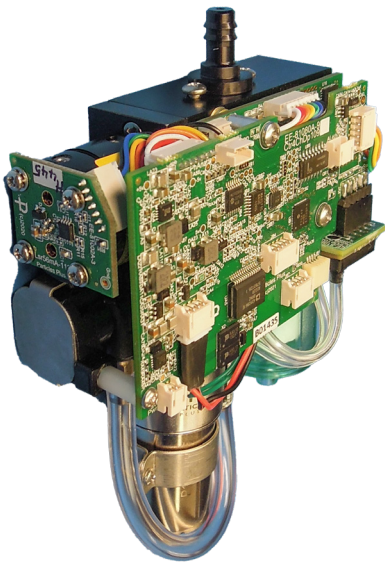


# 2301P-OEM

## Particle Counter

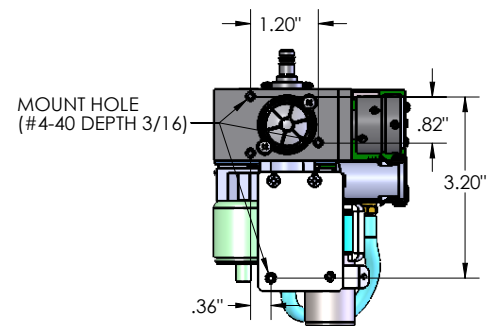
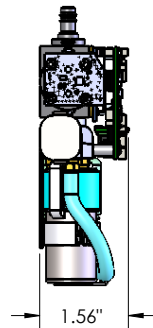
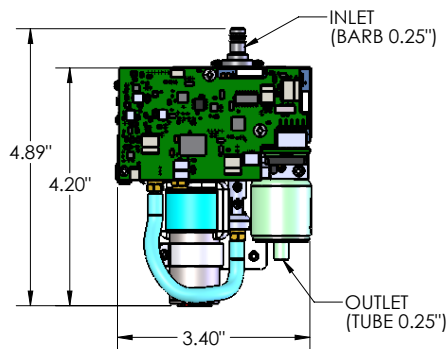


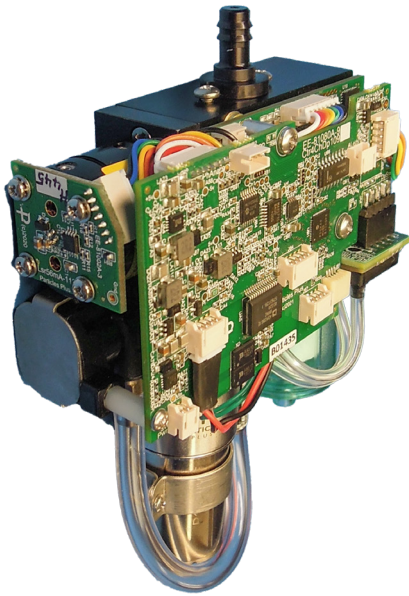
The 2301P-OEM particle counter provides a range of particle size measurement from 0.3 to 25.0  $\mu\text{m}$  at 0.1 CFM (2.83 LPM) flow. These sensors allow for efficient particle counting with high accuracy and resolution that meet or exceed ISO 21501-4 and JIS B9921 for the calibration of a particle counter.

These units are equipped with an internal pump and manifold and do not require an external vacuum source. Integration into a building automation or facility monitoring system is easy via standard Modbus RS-485 communication.

### 2301P-OEM: Features and Benefits

- Measures 0.3  $\mu\text{m}$  to 25  $\mu\text{m}$
- 0.1 CFM (2.83 LPM) flow rate
- Long life laser diode technology
- Measures up to 4 channels of simultaneous data
- Particle concentrations up to 10,000,000 Particles/ $\text{ft}^3$  @ 10% coincidence loss
- Internal vacuum pump
- Internal HEPA filter
- Connect using Modbus RTU/ASCII over isolated RS-485
- Complies with ISO 21501-4 and JIS B9921 standards
- 1 year limited warranty. Extended warranties available.





## Specifications

<b>Model</b>	<b>2301P-OEM</b>
Size Range	0.3 to 25.0 $\mu\text{m}$
Size Channels	Factory calibrated at 0.3, 0.5, 1.0, 5.0 $\mu\text{m}$
Number of Channels	4
Counting Efficiency	50% @ 0.3 $\mu\text{m}$ ; 100% for particles > 0.45 $\mu\text{m}$ per JIS
Flow Rate	0.1 CFM (2.83 LPM)
Concentration Limits	10,000,000 particles/ft <sup>3</sup> @ 10% coincidence (per ISO 21501-4), 20,000,000 particles/ft <sup>3</sup> @ 10% coincidence (as tested and validated <sup>1</sup> )
Light Source	Long life laser diode
Zero Count	<1 count / 60 minutes (<1 particles / 6 ft <sup>3</sup> ). No fault count subtraction.
Calibration	NIST traceable
Vacuum Source	Internal Vacuum Pump
Airflow	Internally monitored
Filtered Exhaust	Internal HEPA filter
Alarm	User configurable alarm light
Communication Modes	MODBUS™ RTU or ASCII outputs (over isolated RS-485)
Standards	ISO 21501-4 and JIS B9921
Instrument Calibration	Recommended minimum once per year
Dimensions (L x W x H)	4.89" x 3.40" x 1.56" (124 mm x 86 mm x 39 mm)
Weight	13 oz (368 grams)
Accessories	Wiring Connector, operating manual on USB flash drive
Sample Time	1 second to 18 hours
Power	9 - 24 VDC (< 2.5 watts)
Operating Conditions	41° to 104°F (5° to 40°C) / 20% to 95% non-condensing
Storage Conditions	32° to 122°F (0° to 50°C) / Up to 98% non-condensing
Warranty	1 year limited warranty. Extended warranties available

1- Validated by independent analysis see paper available at [www.particlesplus.com/aac2022\\_paper](http://www.particlesplus.com/aac2022_paper)