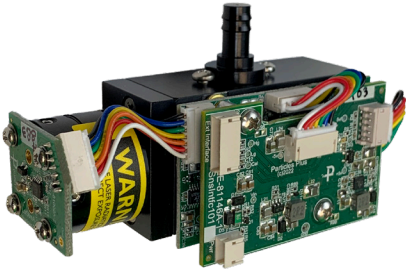


4301-OEM Particle Sensor



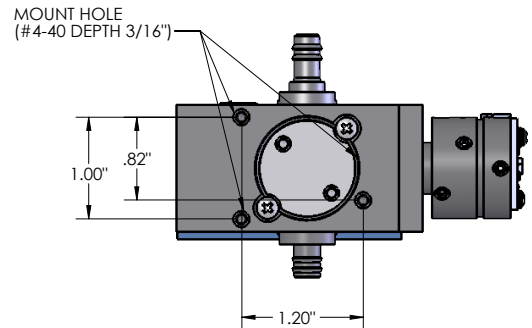
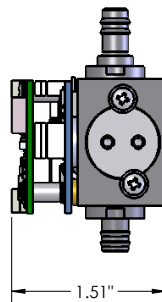
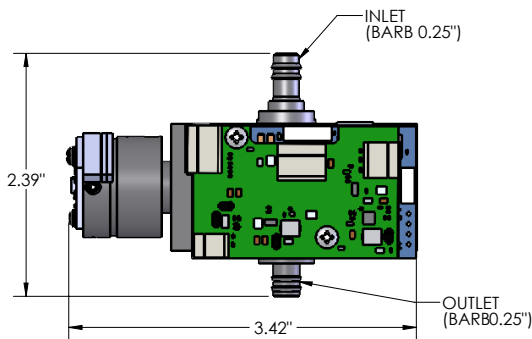
The Particles Plus® 4301-OEM is a laser-based particle sensor that uses the light scattering method to detect and count particles in any given indoor or outdoor environment. The 4301-OEM measures particles from 0.3 to 25.0 μm . The sensor is ideal to detect the concentration of particles precisely in real-time. The unit includes a particle sensor, particle counter board and operates from 9-15 VDC.

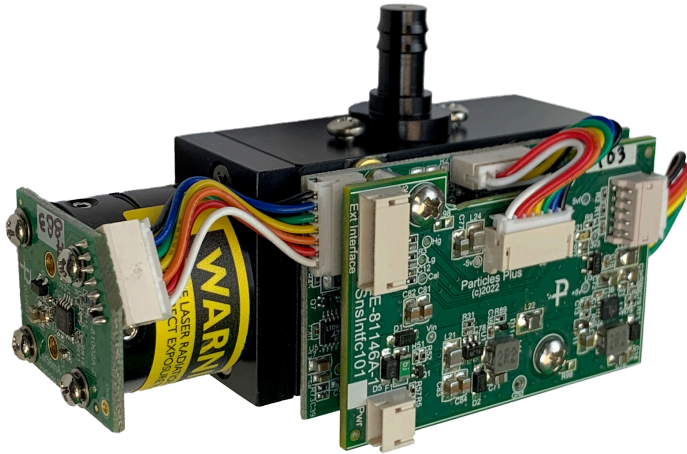
The 4301-OEM particle sensors use the particle concentration analysis principle of Lorenz–Mie solution. A high intensity light source is used to illuminate particles as they pass through the detection chamber. As a particle passes through the light source and if light scattering is used, then the redirected light is detected by a photo detector.

The 4301-OEM ensures compliance with an on-board pulse height analyzer and could meet ISO 21501-4 and JIS B9921 standards.

4301-OEM: Features and Benefits

- Measures 0.3 μm to 25 μm
- Long life laser diode technology
- 2 Analog Channels (High-Gain and Low-Gain)
- 2.83 LPM nozzle
- ISO 21501-4 and JIS B9921 standards capable
- 1 year warranty. Extended warranties available





Specifications

Model	4301-OEM
Measured Parameter	Fine particle counts, concentration and mass
Operating Principle	Optical light scattering
Light Source	Long life laser diode technology
Particle Size Range	0.3 to 25 μm
Flow Rate	2.83 LPM nozzle
Zero Stability	No appreciable drift
Channels	# of channels determined by integrator via external circuitry
Communication Modes	Analog pulses on two channels: High-Gain channel outputs pulses for 0.3 μm to 0.7 μm and the Lo-Gain channel outputs pulses for the 0.7 μm to 10 μm particulates
Dimensions (L x W x H)	2.39" x 3.42" x 1.51" (6.07 cm x 8.68 cm x 3.83 cm) includes inlet
Weight	5.24 oz (148.8 grams)
Operating Conditions	41° to 104°F (5° to 40°C) / 20% to 95% non-condensing RH
Storage Conditions	32° - 122°F (0° - 50°C) / < 98% non-condensing RH
Accessories	Quick start manual on a USB flash drive
Optional Accessories	Standard exhaust filter, high efficiency exhaust filter
Power	9 - 15 VDC with a max of 1.25 watts
Warranty	1 year limited warranty. Extended warranties available