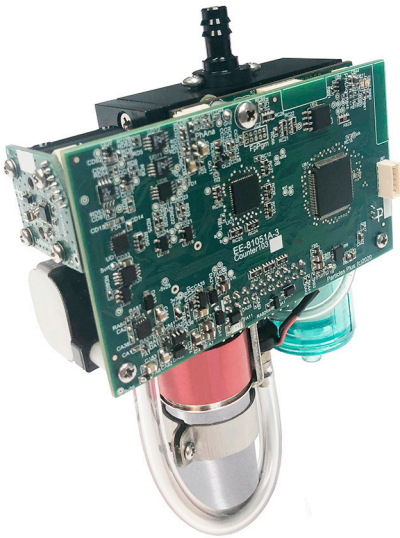


9301P-OEM Particle Counter

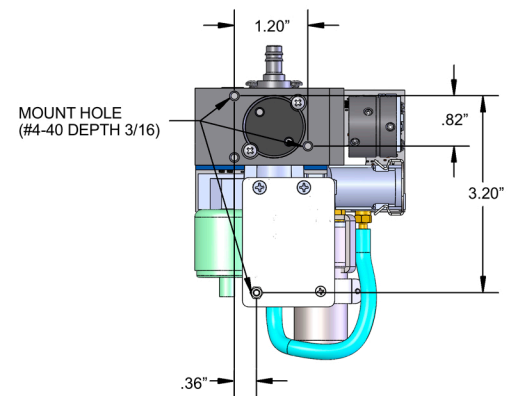
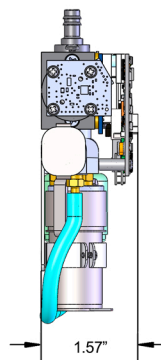
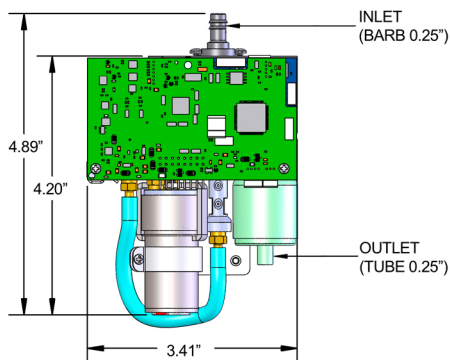


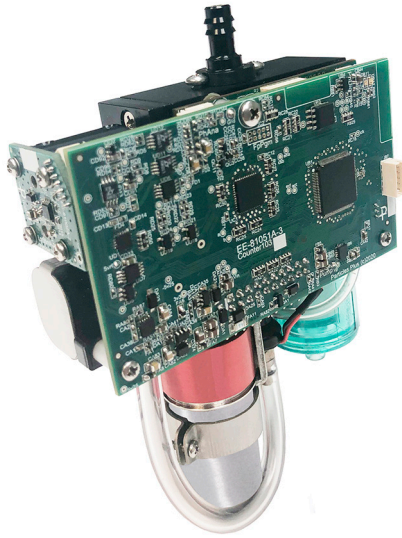
The 9301P-OEM measures up to 30 channels of particle count data from 0.3 to 25.0 μm with a flow rate of 2.83 LPM. The assembly is mounted on a plate for ease of integration. The unit includes a particle sensor, particle counter board, integrated vacuum pump and manifold with pre/post filters, real-time clock/calendar with battery backup, logging and data storage for up to 65,000 sample records, communicates via UART and operates from 7-15 VCD.

All Particles Plus counters meet ISO 21501-4 and JIS B9921. The 9301P-OEM ensures compliance with an on-board pulse height analyzer.

9301P-OEM: Features and Benefits

- Measures 0.3 μm to 25 μm
- 2.83 LPM flow rate
- Long life laser diode technology
- Measures up to 30 channels of simultaneous data
- Particle concentrations up to 10,000,000 Particles/ ft^3 @ 10% coincidence loss
- Internal vacuum pump with manifold and pre/post filters
- Stores up to 65,000 sample records for on-board data redundancy
- User-selectable channel sizes
- Complies with ISO 21501-4 and JIS B9921 standards
- Assembly mounted on back plate for ease of integration
- 1 year warranty. Extended warranties available.





Specifications

Model	9301P-OEM
Size Range	0.3 to 25 μm
Size Channels	Factory calibrated at 0.3, 0.5, 1.0, 2.5, 5.0, 10.0 μm
Flow Rate / Accuracy	0.1 CFM (2.83 LPM) / $\pm 3\%$
Concentration Limits	10,000,000 particles/ft ³ @ 10% coincidence (per ISO 21501-4), 20,000,000 particles/ft ³ @ 10% coincidence (as tested and validated ¹)
Aerosol Concentration Range	0.01 to 20,000 $\mu\text{g}/\text{m}^3$
Light Source	Long life laser diode
Resolution	0.00003 $\mu\text{g}/\text{m}^3$
Zero Stability	No appreciable drift
Calibration	NIST Traceable
Internal Vacuum Pump	Internal pump with automatic flow control
Number of Channels	Up to 30 channels
Airflow	Internally monitored
Alarm	Adjustable built-in alarm
Communication Modes	Modbus (RTU/ASCII) via 3.3v UART
Standards	ISO 21501-4 and JIS B9921
Instrument Calibration	Recommended minimum once every three years
Dimensions (L x W x H)	3.41" x 4.89" x 1.57" (8.7 cm x 12.4 cm x 4.0 cm) includes inlet
Weight	13 oz (368 grams)
Optional Accessories	Standard exhaust filter, high efficiency exhaust filter
Data Storage	65,000 sample records (rotating buffer) with environmental data
Sample Time	1 second to 99 hours
Power	7 - 15 Vdc (< 2 watts max)
Operating Conditions	41° to 104°F (5° to 40°C) / 20% to 95% non-condensing RH
Storage Conditions	32° to 122°F (0° - 50°C) / < 98% non-condensing RH
Warranty	1 year limited warranty. Extended warranties available.

1- Validated by independent analysis see paper available at www.particlesplus.com/aac2022_paper